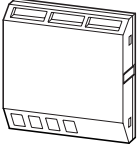
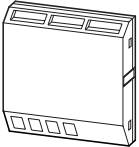
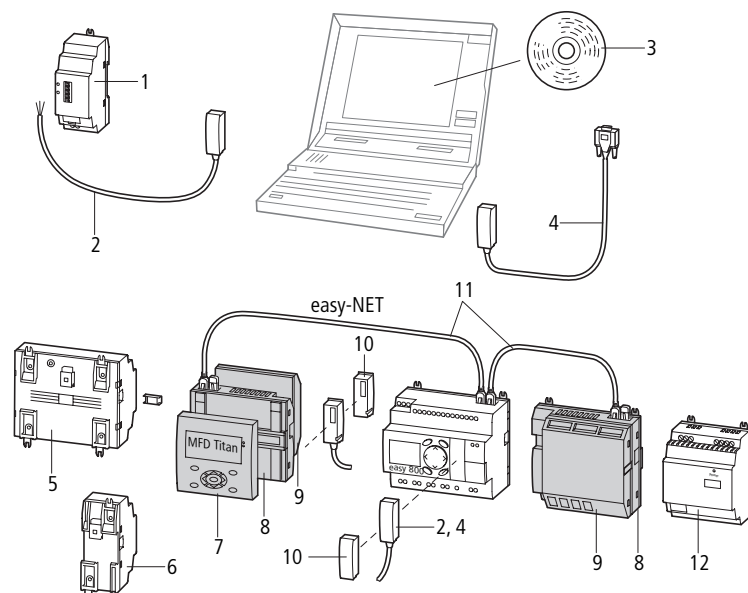


	Inputs		Outputs			Temperature range	Part no. Article no.	Price see price list	Std. pack	
	Digital	of which can be used as analog	Upper value of setting range	Relay 10 A (UL)	Transistor					Analog
<b>I/O modules</b>										
IP20, cage clamp terminals										
 24 V DC for MFD-CP8...  100/240 V AC for MFD-AC-CP8...	12	4	4				<b>MFD-R16</b> 265254		1 off	
	12	4		4			<b>MFD-T16</b> 265255			
	12	4	4			1	<b>MFD-RA17</b> 265364			
	12	4		4		1	<b>MFD-TA17</b> 265256			
	12			4			<b>MFD-AC-R16</b> 274093			
<b>I/O modules with temperature measuring</b>										
IP20, springloaded terminals										
 24 V DC for MFD-CP8... (from device version 08), temperature range can be set.	6	2	2		4	-40...+90 °C 0...+250 °C 0...+400 °C	<b>MFD-TP12-PT-A</b> 106042		1 off	
	6	2	2		4	-200...+200 °C 0...+850 °C	<b>MFD-TP12-PT-B</b> 106043			
	6	2	2		4	-40...+90 °C 0...+250 °C	<b>MFD-TP12-NI-A</b> 106044			
	6	2	2		4	1	-40...+90 °C 0...+250 °C 0...+400 °C	<b>MFD-TAP13-PT-A</b> 106045		
	6	2	2		4	1	-200...+200 °C 0...+850 °C	<b>MFD-TAP13-PT-B</b> 106046		
	6	2	2		4	1	-40...+90 °C 0...+250 °C	<b>MFD-TAP13-NI-A</b> 106047		

**Notes**



**Accessories**

- |   |        |
|---|--------|
| 1 Ethernet gateway                              | → 4/35 |
| 2 Connection cable                              | → 4/46 |
| 3 Programming software                          | → 4/45 |
| 4 PC programming cable                          | → 4/45 |
| 5 I/O expansion                                 | → 4/35 |
| 6 Output expansion, bus module, coupling module | → 4/35 |
| 7 Display/keypad                                | → 4/38 |
| 8 Power supply unit/CPU                         | → 4/38 |
| 9 I/O module                                    | → 4/39 |
| 10 Memory card                                  | → 4/45 |
| 11 easy-NET                                     | → 4/45 |
| 12 Switched-mode power supply unit              | → 4/46 |

