

Contact sequence	220 – 240 V					Auxiliary contacts		For use with
	AC-3					N/O = Normally	N/C = Normally	
	220 V	380 V	440 V	500 V	660 V			
	230 V	400 V			690 V			
	240 V	415 V						
	P	P	P	P	P			
	kW	kW	kW	kW	kW			

Contact module

Image	Diagram	11	20	22	24	30	Auxiliary contacts	For use with
							1 N/O, 1 N/C	PKZ2(4)
							2 M	PKZ2(4)
							1 M	PKZ2(4)

High-capacity contact module with current limiting contacts

Image	Diagram	11	20	22	24	30	Auxiliary contacts	For use with
							1 N/O, 1 N/C	PKZ2(4)
							2 N/O	PKZ2(4)
							1 N/O	PKZ2(4)

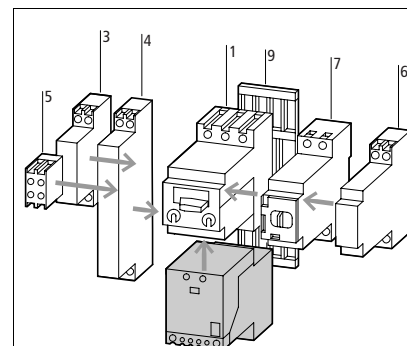
Suppressor circuit Varistor suppressor

Image	Diagram	24 – 48 V AC	110 – 250 V AC	380 – 415 V AC	Auxiliary contacts	For use with
						S(E1A)-...-PKZ2

Bases for separate mounting

Image	Auxiliary contacts	For use with
		S(E1A)-...-PKZ2 CL-PKZ2

Part no. Article no.	Price see price list	Std. pack	Notes
SE1A/11-PKZ2(230V50HZ) 063711		1 off	<p>Clip plate for snap fitting the combination to be ordered separately. Can be fitted to 3 or 4-pole circuit-breaker. When combined with a clip plate can be snap fitted to one IEC/EN 60715 top-hat rail with 15 mm height or two with 15 mm height.</p> <p>Can be mounted separately using base (see below), RC suppressor on request.</p> <p>DC version: The coil cannot be changed. The HI10-S-PKZ2 integral auxiliary contact is freely configurable. The auxiliary contact cannot be changed.</p> <p>DC version with varistor suppressor present. High-capacity contact modules with serial no. 01 suitable for mounting with MV-PKZ2.</p>
SE1A/20-PKZ2(230V50HZ) 063718			
SE1A-G-10-PKZ2(24VDC) 058856			
S-PKZ2(230V50HZ) 063696		1 off	<p>1 Motor-protective circuit-breaker, circuit-breakers → 8/27</p> <p>3 Standard auxiliary contact → 8/35</p> <p>4 Standard auxiliary contact → 8/35</p> <p>5 Trip-indicating auxiliary contact → 8/35</p> <p>6 Shunt release, undervoltage release → 8/37</p> <p>7 Remote operators → 8/39</p> <p>9 Clip plate → 8/44</p> <p>Further actuating voltages → 8/46</p> <p>Additional accessories → 8/33</p>
S/HI20-S-PKZ2(230V50HZ) 063703			
S-G-PKZ2(24VDC) 070921			
VGSPKZ48 063974 VGSPKZ250 063973 VGSPKZ415 063972		10 off	For (high-capacity) contact modules with 50-60 Hz AC operation
EZ-PKZ2 028596		1 off	<p>For retrofitting of (high-capacity) contact module or current limiter, separate mounting</p> <p>With separate contacts also provides fixing base for HI11-S/EZ-PKZ2 auxiliary contacts. Can be snap fitted to an IEC/EN 60715 top-hat rail, or screw fixing M4</p>



Accessories	Page
1 Motor-protective circuit-breaker, circuit-breakers	→ 8/27
3 Standard auxiliary contact	→ 8/35
4 Standard auxiliary contact	→ 8/35
5 Trip-indicating auxiliary contact	→ 8/35
6 Shunt release, undervoltage release	→ 8/37
7 Remote operators	→ 8/39
9 Clip plate	→ 8/44
Further actuating voltages	→ 8/46
Additional accessories	→ 8/33