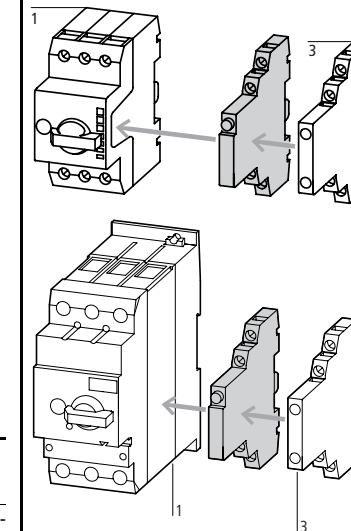


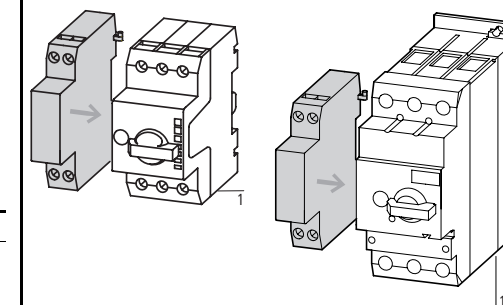
Contacts	Contact diagram	Contact sequence	For use with
<p>N/O = Normally open N/C = Normally closed</p>			
Trip-indicating auxiliary contacts			
For motor-protective circuit-breakers			
<p>2 × 1 N/O</p>			PKZM0 PKZM4 PKZM0-T PKM0 PKZM01
<p>2 × 1 N/C</p>			PKZM0 PKZM4 PKZM0-T PKM0 PKZM01
Early-make auxiliary contact			
For motor-protective circuit-breakers			
<p>2 N/O</p>			PKZM0 PKZM0-T PKM0 PKZM01
Shunt releases			
<p>Screw terminals</p>			PKZM0 PKZM4 PKZM0-T PKM0 PKZM01
Undervoltage releases			
<p>Screw terminals</p>			PKZM0 PKZM4 PKZM0-T PKM0 PKZM01
<p>Spring-loaded terminals</p>			
Current limiters			
To enhance the switching capacity of non-inherently safe motor-protective circuit-breakers PKZM0-16, -20, -25, -32 to 150 kA/440 V			
			PKZM0 PKZM4

Part no. Order number for separate orders	Price see price list	Std. pack	Notes
AGM2-10-PKZ0 072898		2 off	Can be fitted to the right of motor-protective circuit-breakers: Can be combined with: Standard auxiliary contact NHI11-PKZ0 NHI12-PKZ0 NHI21-PKZ0 NHI-E-...
AGM2-01-PKZ0 072899		2 off	Differential indication: a) General trip indication (overload) b) Short-circuit trip Local short-circuit indication by red indicator, manually resettable.
VHI20-PKZ0 203595		2 off	Can be fitted to front on motor-protective circuit-breaker, 45 mm width of the motor-protective circuit-breaker remains unchanged.
VHI20-PKZ01 278495		5 off	For early energization of undervoltage release, e.g. in emergency-stop circuits to EN 60204.
A-PKZ0(230V50HZ) 073187		2 off	Can be fitted to the left of: Motor-protective circuit-breakers Cannot be combined with: U-PKZ0 undervoltage release DC: Intermittent operation 5 s
A-PKZ0(24VDC) 073200		2 off	
U-PKZ0(230V50HZ) 073135		2 off	Can be fitted to the left of: Motor-protective circuit-breakers Cannot be combined with: A-PKZ0 shunt release
U-PKZ0-C(230V50HZ) 229683		2 off	When combined with circuit-breaker, can be used as emergency-stop device to IEC/EN 60204.
CL-PKZ0 082881		1 off	Max. rated operational voltage $U_e = 690$ V, rated uninterrupted current $I_n = 63$ A Can be used for individual and group protection For group protection and in combination with PKZM4, order additional BK25/3 incoming terminal if required. Mounting next to or behind the motor-protective circuit-breaker. PKZM4: 16 – 63 A: 100 kA/400 V PKZM4: 16 – 63 A: 10 kA/690 V



Accessories
 1 Motor-protective circuit-breaker
 3 Standard auxiliary contact

Page
 → 8/4
 → 8/8



Accessories
 1 Interruptor protector de motor
 Further actuating voltages

Page
 → 8/4
 → 8/24