



PKZM0, PKZM4

Moeller HPL0211-2007/2008

http://catalog.moeller.net

Part no. Article no.	Std. pack
see price list	

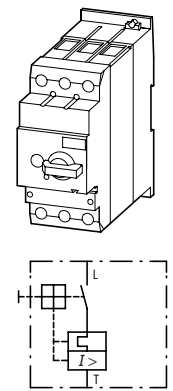
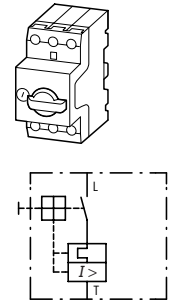
Max. motor rating AC-3					Rated uninterrupted current	Overload releases	Short-circuit releases
220 V	380 V	440 V	500 V	660 V			
230 V	400 V			690 V	I_u A	r A	m A
240 V	415 V						
P	P	P	P	P			
kW	kW	kW	kW	kW			

Motor-protective circuit-breakers, Type "1" and Type "2" coordination

				0.06	0.16	0.1...0.16	2.2	PKZM0-0,16		off
								PKZM0-0,25		
	0.06	0.09	0.12	0.12	0.18	0.25...0.4	5.6	PKZM0-0,4 072732		
	0.09	0.12	0.18	0.25	0.25	0.4...0.63	8.8	PKZM0-0,63		
								PKZM0-1		
								PKZM0-1,6		
								PKZM0-2,5		
								PKZM0-4		
								PKZM0-6,3		
								PKZM0-10		
								PKZM0-12		
								PKZM0-16		
								PKZM0-20		
								PKZM0-25		
								PKZM0-32		

Motor-protective circuit-breakers, Type "1" and Type "2" coordination

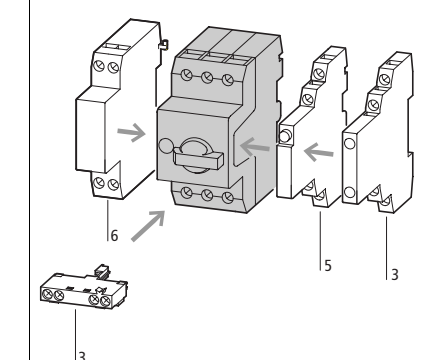
								PKZM4-16		
								PKZM4-25		
								PKZM4-32		
								PKZM4-40		
								PKZM4-50		
								PKZM4-58		
								PKZM4-63		



http://catalog.moeller.net

Incoming side screw terminals outgoer side springloaded terminals	Spring-loaded terminals	Std. pack	Notes
Article no. see price list	Article no. see price list		

PKZM0-0,16-SC	PKZM0-0,16-C		
229829	229670		
PKZM0-0,4-SC 229830	PKZM0-0,4-C 229671		
PKZM0-0,63-SC	PKZM0-0,63-C		
PKZM0-1-SC	PKZM0-1-C		
PKZM0-1,6-SC	PKZM0-1,6-C		
PKZM0-2,5-SC	PKZM0-2,5-C		
PKZM0-4-SC	PKZM0-4-C		
PKZM0-6,3-SC	PKZM0-6,3-C		
PKZM0-10-SC	PKZM0-10-C		
PKZM0-12-SC	PKZM0-12-C		
PKZM0-16-SC	PKZM0-16-C		



Accessories
 3 Standard auxiliary contact →
 5 Trip-indicating auxiliary contact → 8/11
 6 Shunt release, undervoltage release 8/11

Single-phasing sensitivity to IEC/EN 60947-4-1
 Can be snap-fitted to IEC/EN 60715 top-hat rail with 7.5 or 15 mm height
 Ⓢ PTB 02 ATEX 3151, see manual 8/18

