

Position switches, safety position switch

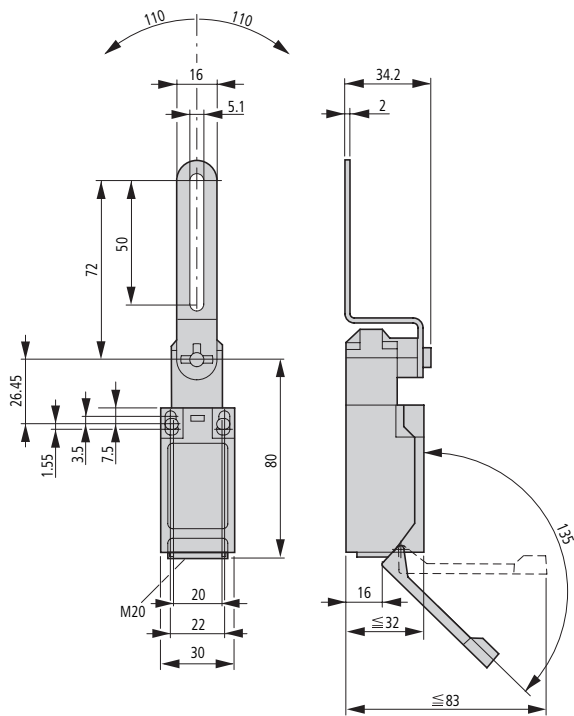
<http://catalog.moeller.net>

Moeller HPL0211-2007/2008

LS, LSR **xCommand**

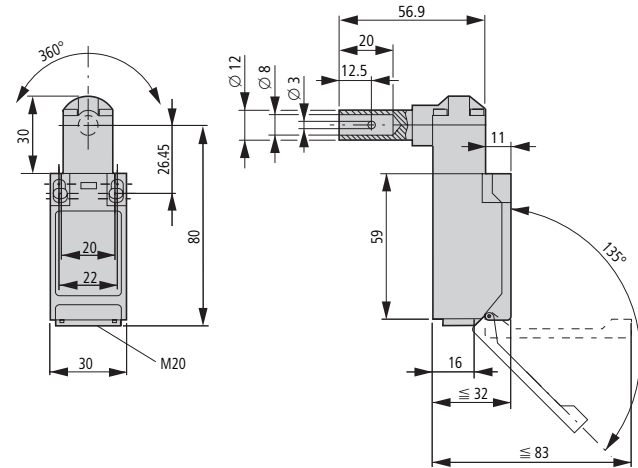
Safety door flap switch

LSR-.../TKG



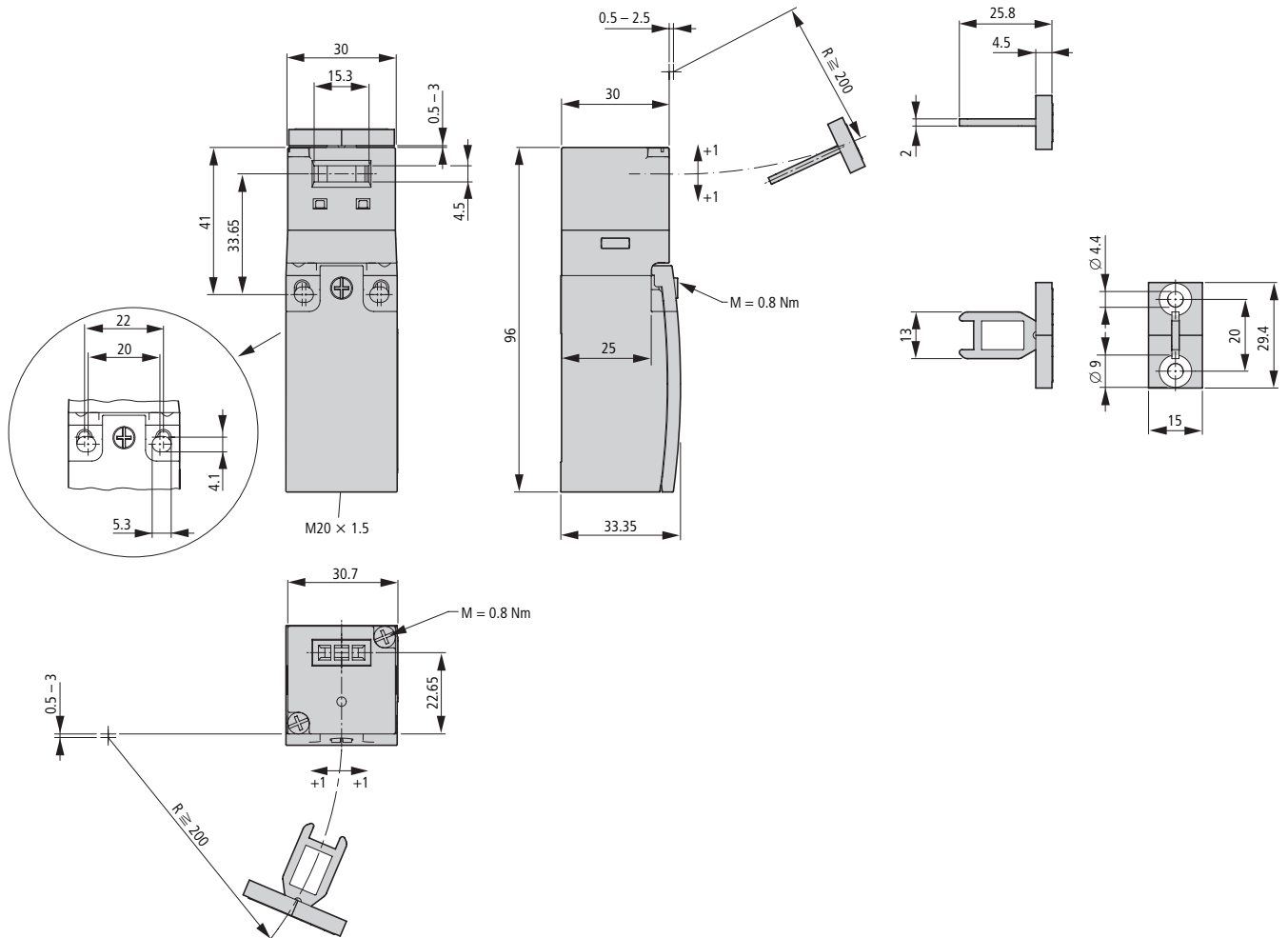
Safety hinge switch

LSR-.../TS



Safety position switches

LS...-ZB



Switch must not be used as a mechanical stop.

Safety switches

